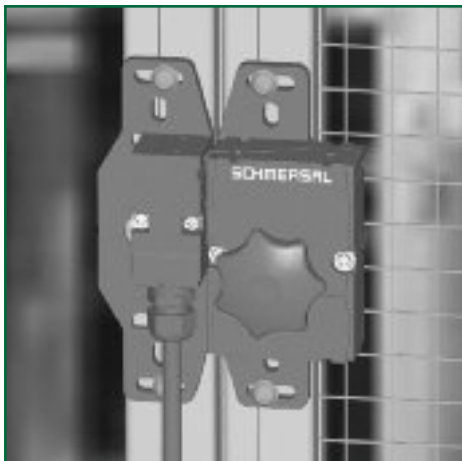


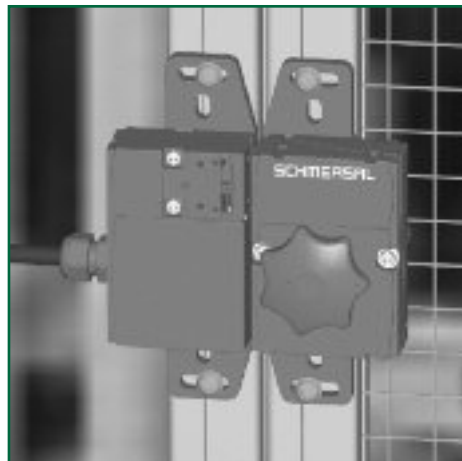


### Features & Benefits

- **Ergonomically-designed door handles ...** for easy operation.
- **Pre-machined mounting plates ...** for easy installation.
- **Dual-purpose handle ...** releases interlock actuator key and opens guard.
- **Low-profile design ...** minimizes protruding handle.
- **No protruding actuator ...** recessed actuator key when guard is open makes for safer installation.
- **User flexibility ...** actuator can be supplied without handle. Users can mount their own handle design on the integral, pre-tapped (M6) 8mm square shaft.



AZ17...zrk Installation



AZM170...zrk Installation

### Description

The Series BN25 is designed to allow easy realization of a combination door handle and safety interlock for use on light to medium weight hinged and sliding machine guards. Each unit consists of a door handle assembly with integral handle and safety interlock actuator key for operating a Series AZ17...zrk or AZM170...zrk interlock switch.

### Operation

Upon manual turning of the star-grip or T-grip handle, the safety interlock switch actuator key is withdrawn from the switch body ... opening the positive-break, normally-closed switch contacts (and, if so equipped, closing the normally-open switch contact).

Opening the normally-closed safety contact(s) removes power to the machine hazard. Upon operation, the actuator key is withdrawn into the door handle housing ... thus eliminating the potential hazard represented by a protruding key.

### Typical Applications

The low-profile ergonomically-designed door handle is ideal for use on light- to medium-weight movable machine guards.

# SERIES B25

## AVAILABLE STANDARD MODELS & ACCESSORIES

Compatible Safety Interlock* (order separately)	Part Number	Description
Series AZ17...zrk	AZ17-B25-L-G1 AZ17-B25-L-G2 AZ17-B25-R-G1 AZ17-B25-R-G2	Star-grip for left-hand hinged guard T-grip for left-hand hinged guard Star-grip for right-hand hinged guard T-grip for right-hand hinged guard
Series AZM170...zrk	AZM170-B25-L-G1 AZM170-B25-L-G2 AZM170-B25-R-G1 AZM170-B25-R-G2	Star-grip for left-hand hinged guard T-grip for left-hand hinged guard Star-grip for right-hand hinged guard T-grip for right-hand hinged guard
Series AZ17...zrk Series AZM170...zrk	MP-B25*	Mounting plates for switch & handle assembly

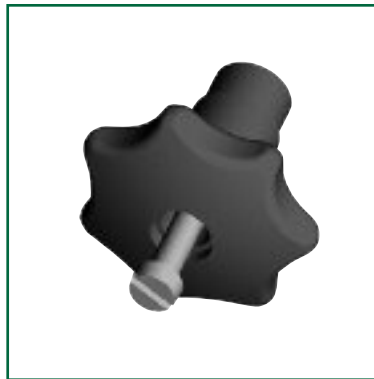
\*Note: The AZ17 or AZM170 Safety Interlock Switch and the mounting plates are not included in the delivery and must be ordered separately. Please note the assembly requires the interlock with the latching ("r") option. See Catalog GK-1.

To order unit without Star-grip or T-grip handle, please change suffix to G0. For example ... AZ17-B25-L-G0.

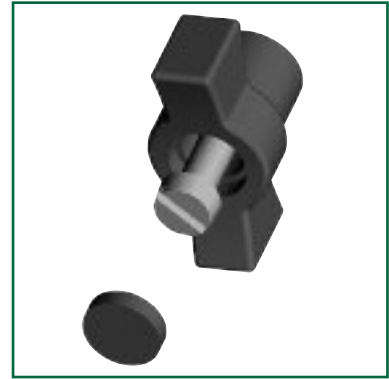
3



Mounting Plates MP-B25  
Order separately



Star-Grip



T-Grip

## DIMENSIONS

