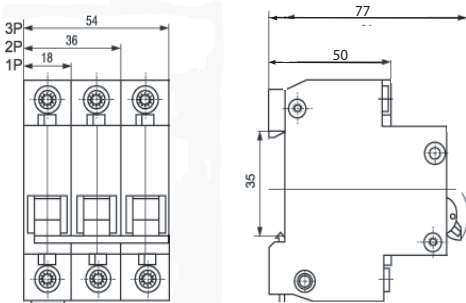




Mini Circuit Breakers
CB - A Series - 5kA - cRU^{US}
1 Amp - 63 Amp, 480 VAC Max
10kA per IEC 60898



B Trip cRU ^{US}		C Trip cRU ^{US}		D Trip		Poles	List Price (Qty Mix = any pole or trip version)
Amps	Part#	Amps	Part#	Amps	Part#		
1 Pole						 1 Pole	1 - 99 + PCS.\$ 20.00 100 + PCS.\$ 18.00 1000 pcs, Annual Blanket Orders 100 pcs, min release. Any Part # Mix. \$16.00
* D trip UL April, 07							
1	CB1A1PB	1	CB1A1PC	1	CB1A1PD		
2	CB2A1PB	2	CB2A1PC	2	CB2A1PD		
3	CB3A1PB	3	CB3A1PC	3	CB3A1PD		
4	CB4A1PB	4	CB4A1PC	4	CB4A1PD		
6	CB6A1PB	6	CB6A1PC	6	CB6A1PD		
10	CB10A1PB	10	CB10A1PC	10	CB10A1PD		
16	CB16A1PB	16	CB16A1PC	16	CB16A1PD		
20	CB20A1PB	20	CB20A1PC	20	CB20A1PD		
25	CB25A1PB	25	CB25A1PC	25	CB25A1PD		
32	CB32A1PB	32	CB32A1PC	32	CB32A1PD		
40	CB40A1PB	40	CB40A1PC	40	CB40A1PD		
50	CB50A1PB	50	CB50A1PC	50	CB50A1PD		
63	CB63A1PB	63	CB63A1PC	63	CB63A1PD		
2 Pole						 2 Pole	1 - 99 + PCS.\$ 34.00 100 + PCS.\$ 32.00 1000 pcs, Annual Blanket Orders 100 pcs, min release. Any Part # Mix. \$30.00
1	CB1A2PB	1	CB1A2PC	1	CB1A2PD		
2	CB2A2PB	2	CB2A2PC	2	CB2A2PD		
3	CB3A2PB	3	CB3A2PC	3	CB3A2PD		
4	CB4A2PB	4	CB4A2PC	4	CB4A2PD		
6	CB6A2PB	6	CB6A2PC	6	CB6A2PD		
10	CB10A2PB	10	CB10A2PC	10	CB10A2PD		
16	CB16A2PB	16	CB16A2PC	16	CB16A2PD		
20	CB20A2PB	20	CB20A2PC	20	CB20A2PD		
25	CB25A2PB	25	CB25A2PC	25	CB25A2PD		
32	CB32A2PB	32	CB32A2PC	32	CB32A2PD		
40	CB40A2PB	40	CB40A2PC	40	CB40A2PD		
50	CB50A2PB	50	CB50A2PC	50	CB50A2PD		
63	CB63A2PB	63	CB63A2PC	63	CB63A2PD		
3 Pole						 3 Pole	1 - 99 + PCS.\$ 58.00 100 + PCS.\$ 46.00 1000 pcs, Annual Blanket Orders 100 pcs, min release. Any Part # Mix. \$44.00
6	CB6A3PB	6	CB6A3PC	6	CB6A3PD		
10	CB10A3PB	10	CB10A3PC	10	CB10A3PD		
16	CB16A3PB	16	CB16A3PC	16	CB16A3PD		
20	CB20A3PB	20	CB20A3PC	20	CB20A3PD		
25	CB25A3PB	25	CB25A3PC	25	CB25A3PD		
32	CB32A3PB	32	CB32A3PC	32	CB32A3PD		
40	CB40A3PB	40	CB40A3PC	40	CB40A3PD		
50	CB50A3PB	50	CB50A3PC	50	CB50A3PD		
63	CB63A3PB	63	CB63A3PC	63	CB63A3PD		

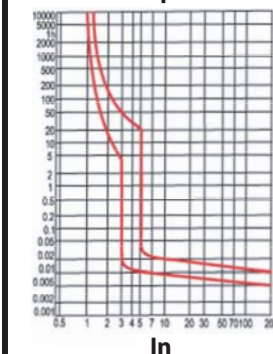


-12° to +140° F Temperature

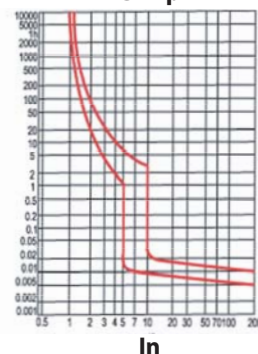
Trip Curves

Time(s)
(seconds)

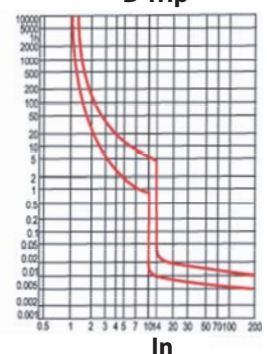
B Trip



C Trip



D Trip



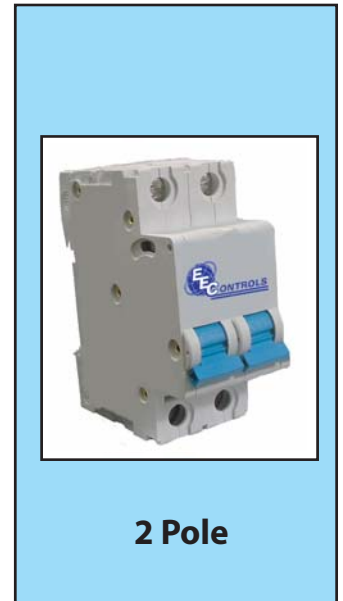
CB - D Series - 10kA DC

UL US 1 Pole 110VDC, 2 Pole 125VDC

* Add to Part # "B" = B Curve, "C" = C Curve

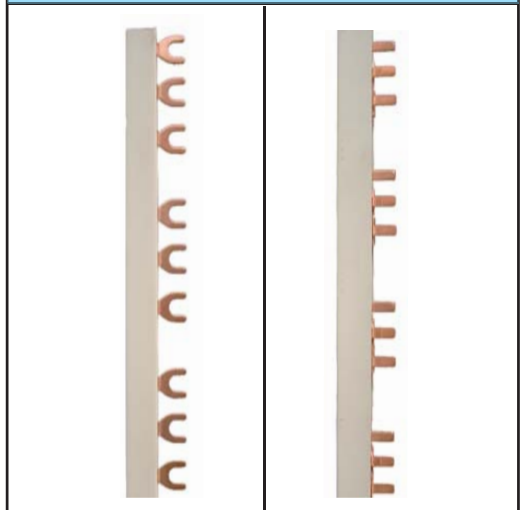


Amps	One Pole Part # \$24.00 List	Two Pole Part # \$38.00 List
1	CB-D1A1*	CB-D1A2*
2	CB-D2A1*	CB-D2A2*
3	CB-D3A1*	CB-D3A2*
4	CB-D4A1*	CB-D4A2*
6	CB-D6A1*	CB-D6A2*
10	CB-D10A1*	CB-D10A2*
13	CB-D13A1*	CB-D13A2*
16	CB-D16A1*	CB-D16A2*
20	CB-D20A1*	CB-D20A2*
25	CB-D25A1*	CB-D25A2*
32	CB-D32A1*	CB-D32A2*
40	CB-D40A1*	CB-D40A2*
50	CB-D50A1*	CB-D50A2*
63	CB-D63A1*	CB-D63A2*



Part # Example : CB-D63A1**B** = B Trip / CB-D63A1**C** = C Trip

39 inch Bus Bars 100 AMP MAX



U Type load side only until.

PIN Type either load or line side.

Auxiliary Switch Ratings

CBA-Aux; 6A@230VAC, 3A@400VAC, 6A@24VDC.

CB A Series Mini Circuit Breaker Accessories

Bus Bars	Max Breakers	U Type Part #	List Price
1Pole Only	55	CBA-1P	\$ 28.00
2 Pole Only	27	CBA-2P	\$ 54.00
3 Pole Only	18	CBA-3P	\$ 76.00
PIN TYPE		PIN Type	
1Pole Only	55	CBA-1PIN	\$ 28.00
2 Pole Only	27	CBA-2PIN	\$ 54.00
3 Pole Only	18	CBA-3PIN	\$ 76.00

1 Pole Aux Field adjustable N.O. or N.C.	CBA-AUX	\$ 27.00
240 Under Voltage Trip ;	CBA-UVTrip-240V	\$ 27.00
SHUNT TRIP 240VAC,400VAC,24VDC, 48VDC *Add Voltage to Part #.	CBA-SHUNT-*	\$ 27.00
Example: CBA - SHUNT - 24VDC		