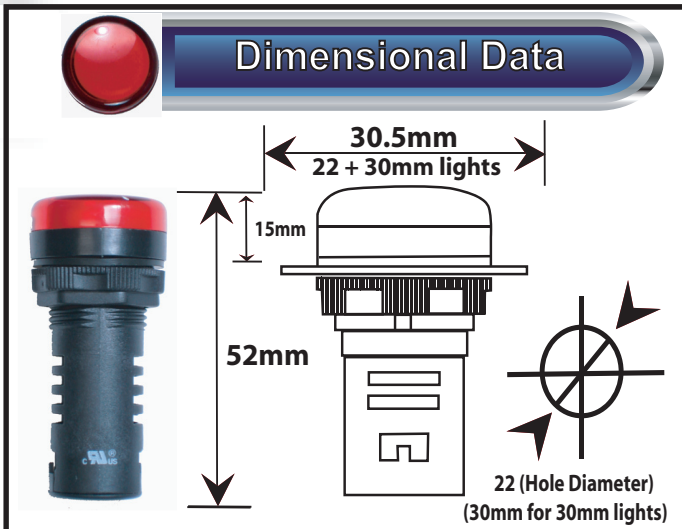




LED Pilot Light's Modular 22mm + 30mm



List Price \$22.00 Per Light
100 + pcs. mix qty. \$16.00 Per Light

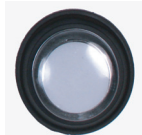
Part Numbers	Colors
B22LED-R-*	RED
B22LED-G-*	GREEN
B22LED-Y-*	YELLOW
B22LED-B-*	BLUE
B22LED-W-*	WHITE

***Add Voltage Suffix:**

(*) Add Suffix for Colors	
-A	110VAC
-C	220VAC
-G	24VAC/DC
-O	48VAC/DC
-D	380VAC
-M	12VAC/DC

For 30mm LED pilot light simply Add suffix "30" to end of part # - Add \$9 to list.

Example - B22LED-R-A-30 \$31.00 List.



- Operational Temperature - $-13^{\circ} + 130^{\circ}F$
- Protection Degree NEMA 4X - IP65
- Current Draw $-I_e MA < 80 - (6, 12v)$
 $20 - (24, 48), 110, 220V.$
- Brightness $= -cd/M^2 \geq 60$
- AC Rated Frequency = $-50/60 HZ$
- Saddle Clamp Screw Terminals.
- Mounting - 22mm or 30mm hole diameter.